

# PS380/390 (A832/A833)

This parts catalog is includes MB No. 1

## PS380/390 (A832/A833)

### PARTS CATALOG

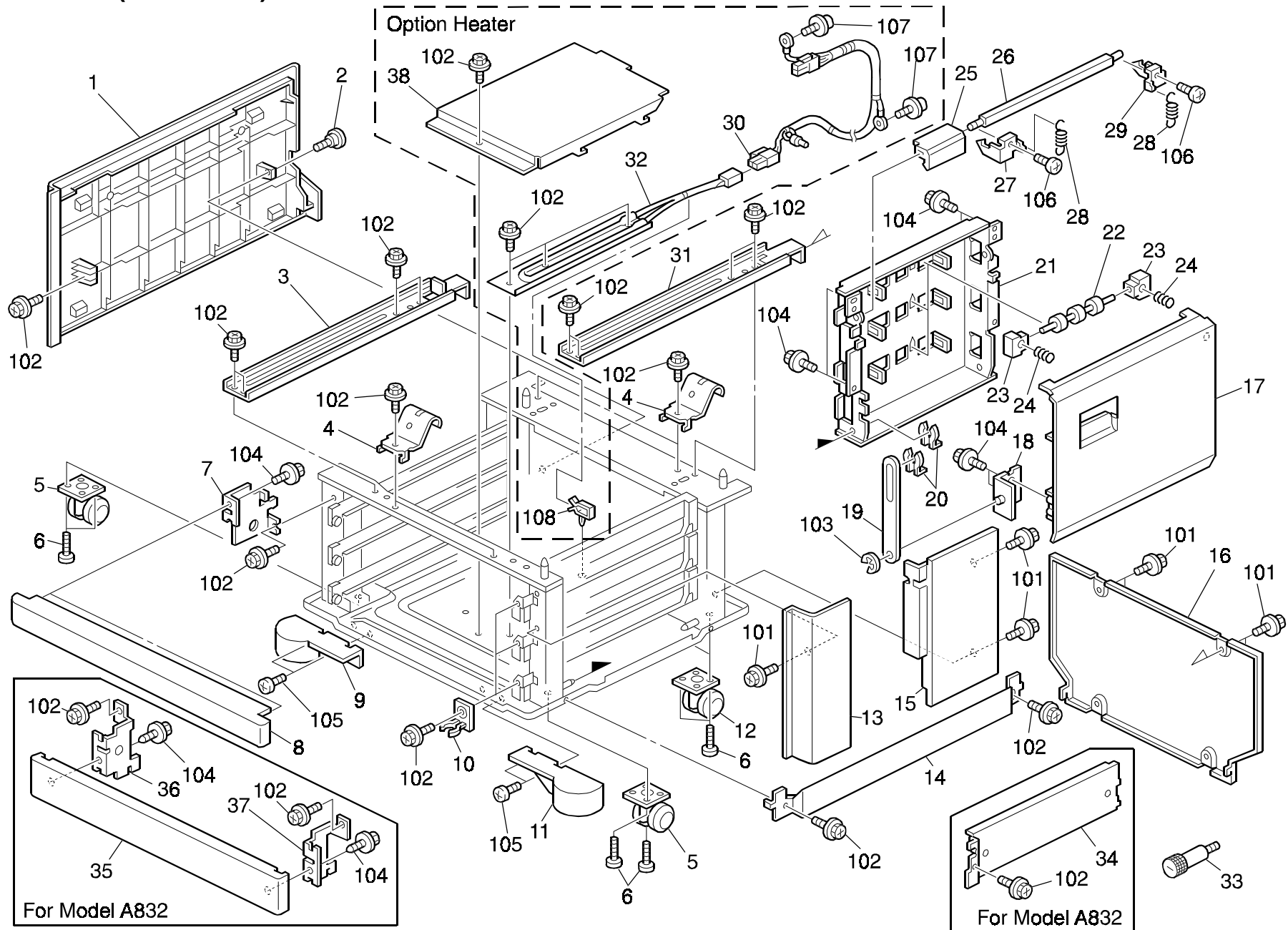
This catalog gives the numbers and names of parts on this machine.

### CONTENTS

1.EXTERIOR (A832/A833) .....	2
2.PAPER REGISTRATION (A832/A833) .....	4
3.PAPER TRAY (A832/A833).....	6
4.DRIVE SECTION (A832/A833) .....	8
5.ELECTRICAL SECTION (A832/A833) .....	10
6.INTERFACE BOARD (A832).....	12
7.INTERFACE BOARD (A833).....	14
<b>PARTS INDEX.....</b>	<b>17</b>

July ,31 ' 2000

# 1.EXTERIOR (A832/A833)

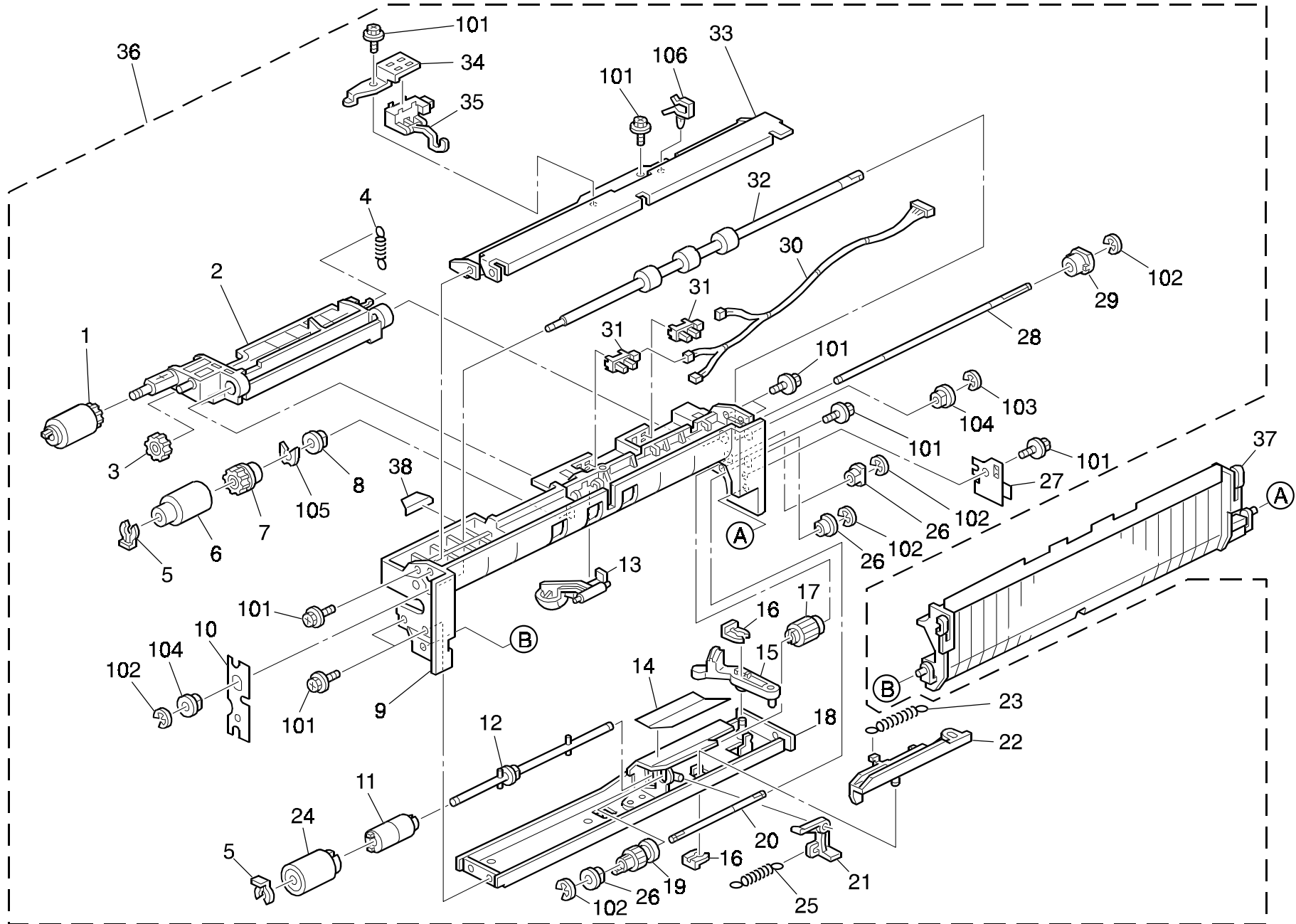


## 1.EXTERIOR (A832/A833)

Index No.	Part No.	Description	Q'ty Per Assembly
1	A833 1261	Left Cover	1
2	AA14 3487	Cover Fix Screw	1
3	A833 1095	Left Stay	1
4	A549 1093	Spring Plate	4
5	AH01 3009	Caster - 100Kgf Stopper	2
6	A507 1096	Philips Screw - M5x6	16
7	A833 1252	Front Upper Cover Bracket	1
8	A833 1251	Front Upper Cover	1
9	A549 6120	Left Support Bracket	1
10	A232 2995	Front Positioning Guide	3
11	A549 6121	Right Support Bracket	1
12	AH01 3010	Caster - 100Kgf	2
13	A833 1271	Front Right Cover	1
14	A833 1281	Lower Vertical Cover	1
15	A833 1291	Rear Right Cover	1
16	A833 1301	Rear Cover	1
17	A833 2660	Vertical Transport Cover	1
18	A833 2680	Stud	1
19	A833 2665	Guide Plate Link	1
20	5215 2621	Snap Ring - M6	2
21	A833 2615	Vertical Guide Plate	1
22	AF02 5038	Driven Transport Roller	3
23	AA08 0173	Bushing - 6mm	6
24	AA06 3271	Spring	6
25	A833 2632	Vertical Un Lock Grip	1
26	A833 2638	Un Lock Shaft	1
27	A833 2635	Front Lock Pawl	1
28	AA06 9260	Lock Spring	2
29	A833 2636	Rear Lock Pawl	1
30	A833 5321	Heater Harness	1
31	A833 1094	Right Stay	1
32	AX40 0065	Anti-Condensation Heater - 100	1
33	A833 1099	Knob Screw	1
34	A832 1321	Lower Inner Cover (A832)	1
35	A832 1311	Lower Front Cover (A832)	1

Index No.	Part No.	Description	Q'ty Per Assembly
36	A832 1313	Bracket - Left Lower Cover (A832)	1
37	A832 1312	Bracket - Right Lower Cover (A832)	1
38	A833 1182	Radiator Plate	1
101	0451 3008H	Tapping Screw - 3x8	
102	0451 3006B	Tapping Screw - M3x6	
103	0720 0040E	Retaining Ring - M4	
104	0450 4010B	Tapping Screw - 4x10	
105	0434 0080B	Pan Head Self-tapping Screw - M4x8	
106	0353 0080B	Screw - M3X8	
107	0801 0150	Philips Screw - M4x8	
108	1105 0290	Harness Clamp - Horizontal	

## 2.PAPER REGISTRATION (A832/A833)

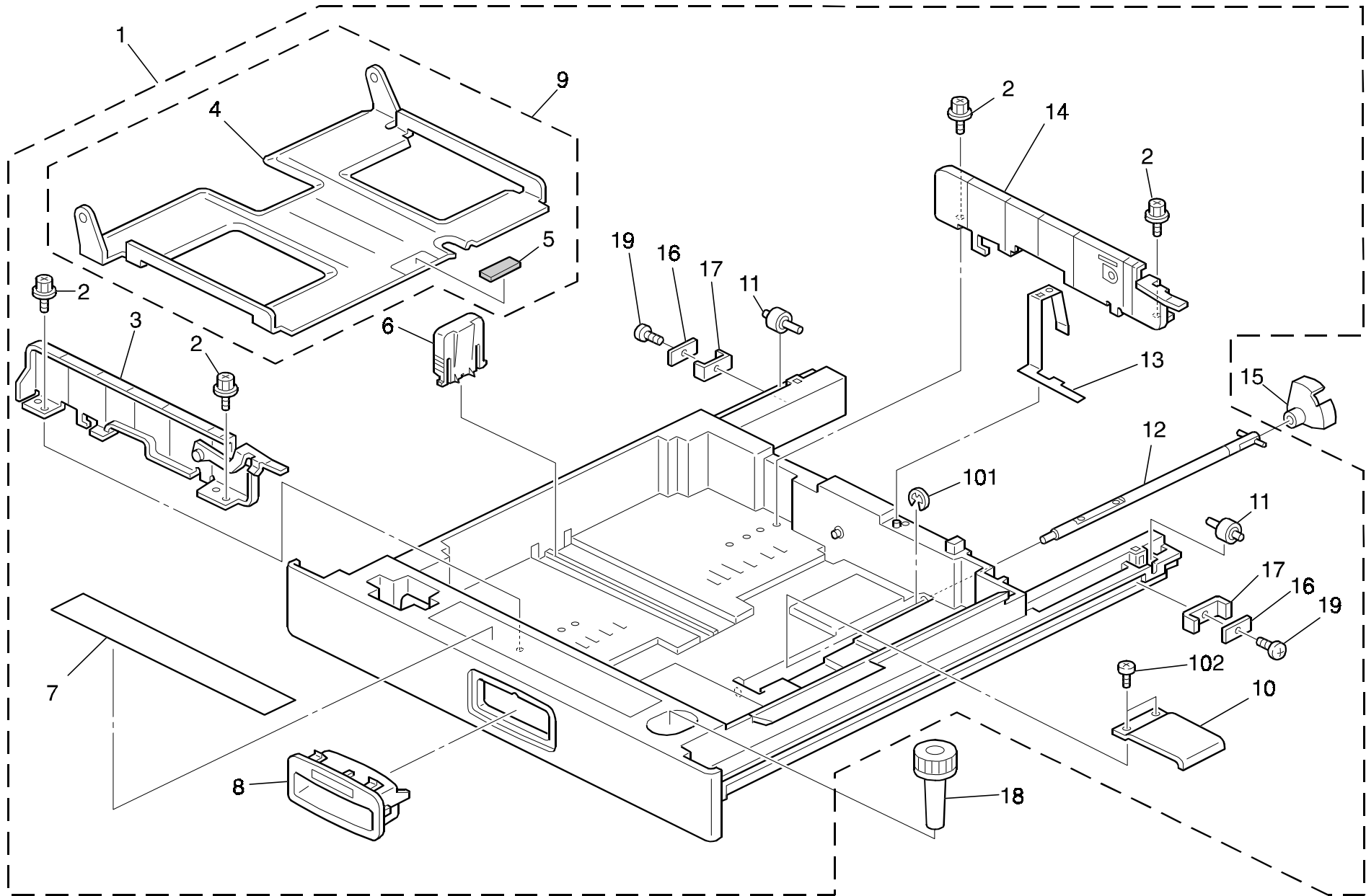


## 2.PAPER REGISTRATION (A832/A833)

Index No.	Part No.	Description	Q'ty Per Assembly
1	<b>AF03 0035</b>	<b>Pick-up Roller</b>	1
2	A232 2763	Pick-up Arm	1
3	AB01 1188	Gear - 21Z	1
4	AA06 0691	Tension Spring	1
5	5447 2681	Snap Ring	2
6	<b>AF03 1035</b>	<b>Feed Roller</b>	1
7	AB01 1189	Gear - 18Z	1
8	AA08 2070	Bushing - 8x16x7	1
9	A232 2760	Housing - Paper Feed Unit	1
10	A232 2765	Front Grounding Plate	1
11	A232 2783	Torque Limiter	1
12	A232 2777	Shaft - Paper Separation	1
13	A232 2762	Paper End Feeler	1
14	A232 2782	Rear Feed Mylar	1
15	A232 2776	Release Lever	1
16	5206 2686	Snap Ring	2
17	AB01 0107	Gear - 23Z	1
18	A232 2770	Stay - Paper Separation	1
19	AB01 0106	Gear - 24Z	1
20	AA14 0656	Shaft - Gear	1
21	A232 2774	Pressure Lever	1
22	A232 2775	Link Lever	1
23	AA06 0692	Tension Spring	1
24	<b>AF03 2035</b>	<b>Separation Roller</b>	1
25	AA06 0693	Tension Spring	1
26	AA08 2072	Bushing - M6	3
27	A232 2764	Rear Grounding Plate	1
28	AA14 0655	Shaft - Paper Feed	1
29	AA08 3014	One-way Clutch	1
30	A232 5428	Harness - Paper Feed Unit	1
31	AW02 0056	Photointerruptor - EE-SX4235A-P1	2
32	AF02 0404	Transport Roller	1
33	A232 2780	Stay - Paper Feed	1
34	A232 2781	Sensor Bracket	1
35	AW02 0096	Photointerruptor	1

Index No.	Part No.	Description	Q'ty Per Assembly
36	A232 2750	Paper Feed Unit Ass'y	1
37	A232 2785	Vertical Guide	1
38	A232 2766	Feed Mylar	1
101	0451 3008B	Tapping Screw - M3x8	
102	0720 0040E	Retaining Ring - M4	
103	0720 0060E	Retaining Ring - M6	
104	0805 3480	Bushing - 6mm	
105	0805 0089	Retaining Ring - M4	
106	1105 0283	Clamp	

### 3.PAPER TRAY (A832/A833)



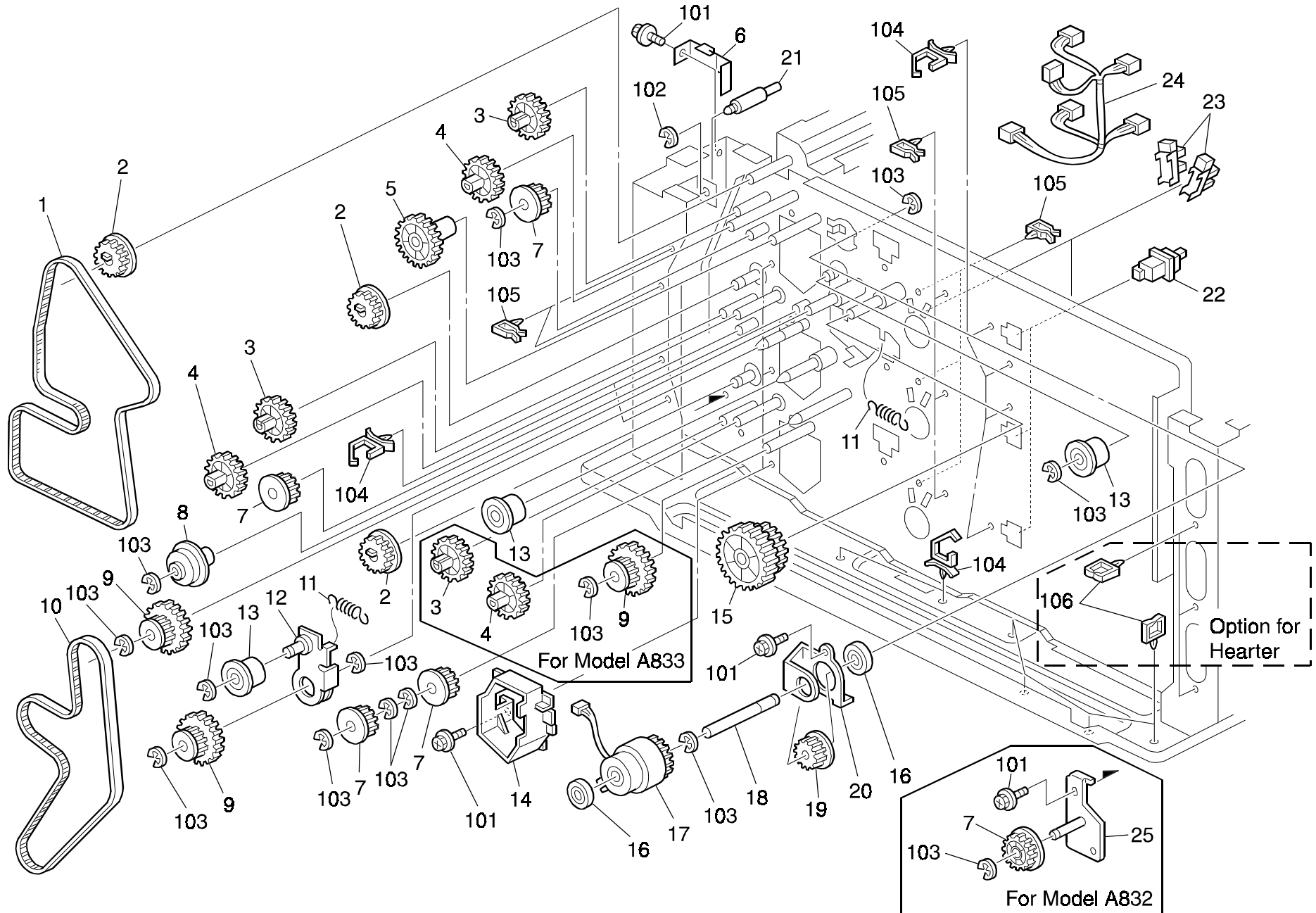
### 3.PAPER TRAY (A832/A833)

Index No.	Part No.	Description	Q'ty Per Assembly
1	A259 2520	Paper Tray Ass'y	1
2	A232 2986	Screw - M4X8	4
3	A232 2979	Front Side Fence	1
4	AF01 1153	Tray Bottom Plate	1
5	AF01 3014	Bottom Plate Pad	1
6	AF01 7020	End Fence	1
7	AA00 3002	Decal - Add Paper	1
8	A232 2988	Handle - Paper Tray	1
9	A232 2977	Bottom Plate	1
10	A232 2975	Bottom Lift Plate	1
11	A232 2987	Roller - Paper Tray	2
12	A232 2972	Bottom Lift Shaft	1
13	A232 2976	Grounding Plate - Paper Tray	1
14	A232 2983	Rear Side Fence	1
15	A235 2979	Feeler - Paper Height Sensor	1
16	A232 2999	Right Spacer	2
17	A232 2997	Right Stopper - Paper Tray	2
18	A259 3314	Screw Holder	1
	<b>A232 2989</b>	<b>X/O MB1</b>	
19	AA14 3762	Tapping Screw - M3x10	2

Index No.	Part No.	Description	Q'ty Per Assembly
101	0720 0060E	Retaining Ring - M6	
102	0353 0060B	Philips Pan Head Screw - M3x6	



# 4.DRIVE SECTION (A832/A833)

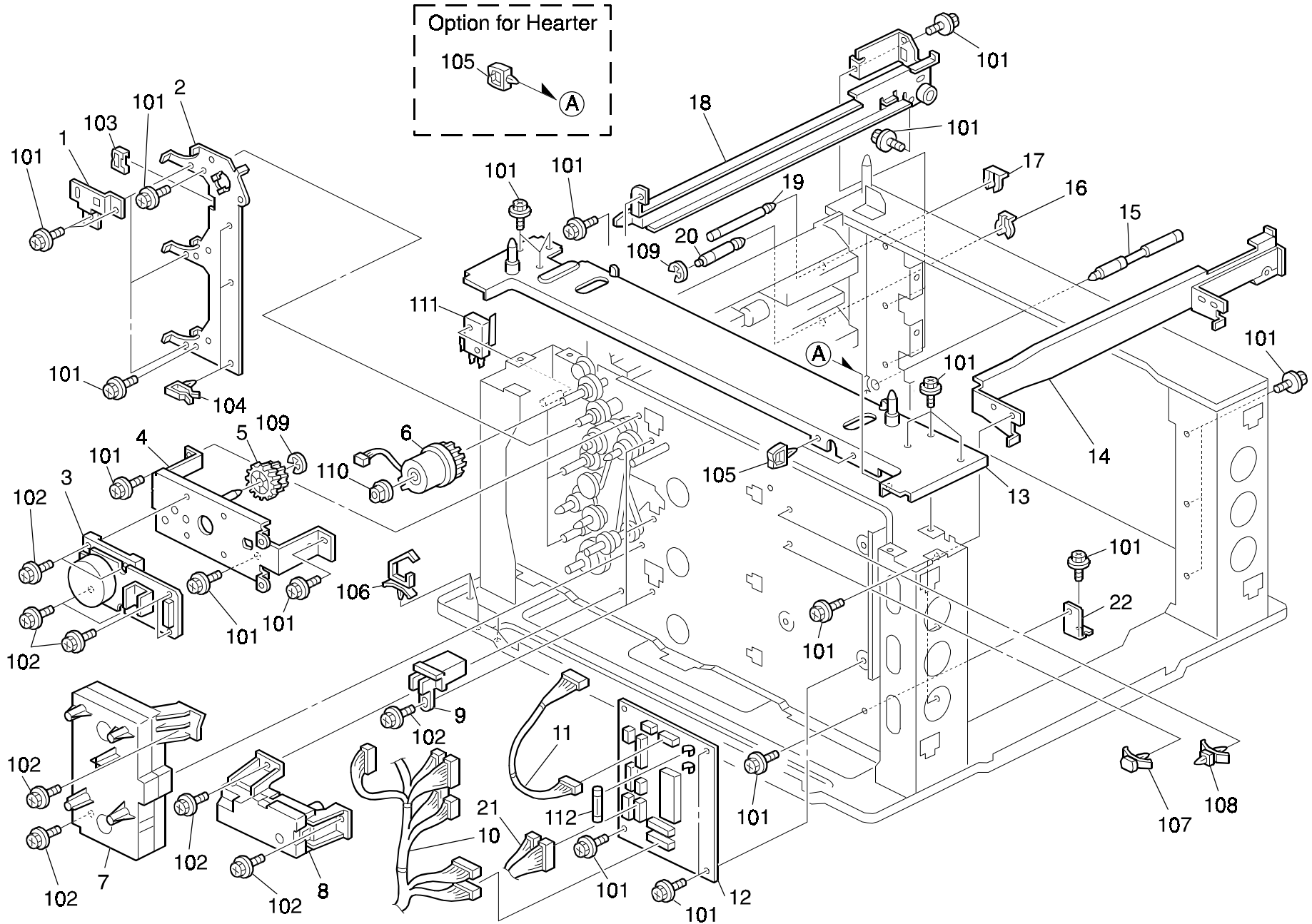


#### 4.DRIVE SECTION (A832/A833)

Index No.	Part No.	Description	Q'ty Per Assembly
1	AA04 3905	Timing Belt - S3M 666	1
2	AB03 0625	Timing Pulley - 20Z	3
3	AB01 4038	Gear - 22Z	3
4	AB01 4037	Gear - 24Z	3
5	AB01 4039	Gear - 31Z	1
6	A833 2672	Spring Plate	1
7	AB03 0557	Pulley - 20Z	5
8	AB03 3089	Idler Pulley	1
9	AB03 0561	Timing Pulley - 31Z/20T	3
10	AA04 3906	Timing Belt - S3M 501	1
11	AA06 0591	Tension Spring	2
12	A833 1127	Belt Tension Bracket	1
13	AB03 0455	Tightener Pulley - 8x20x13	3
14	A833 1138	Drive Cover	1
15	AB01 7476	Motor Drive Gear	1
16	A232 3552	Ball Bearing - 8x22x7	2
17	AX20 0158	Magnetic Clutch - 0.8N 28Z	1
18	AA14 5260	Gear Shaft	1
19	AB03 0566	Timing Pulley - 20T	1
20	A232 2702	Pulley Bracket	1
21	AA14 9326	Rear Lock Stud	1
22	AW50 0022	Push Switch	3
23	AW02 0056	Photointerruptor - EE-SX4235A-P1	6
24	A832 5360	Paper Volume Sensor Harness (A832)	1
25	A832 2605	Idler Stud (A832)	1

Index No.	Part No.	Description	Q'ty Per Assembly
101	0451 3006B	Tapping Screw - M3x6	
102	0720 0030E	Retaining Ring - M3	
103	0720 0060E	Retaining Ring - M6	
104	1105 0291	Harness Clamp - LWS-3S	
105	1105 0283	Clamp	
106	1105 0230	Clamp	

# 5.ELECTRICAL SECTION (A832/A833)



## 5.ELECTRICAL SECTION (A832/A833)

Index No.	Part No.	Description	Q'ty Per Assembly
1	A833 1136	Guide Plate	3
2	A833 1142	Middle Bracket	1
3	AX06 0139	Brushless Motor - DC24V 12.3W	1
4	A833 1162	Motor Bracket	1
5	AB01 9476	Motor Idler Gear	1
6	AX20 0153	Electrical Clutch	3
7	AX04 0077	DC Motor - 3W	1
8	AX04 0113	DC Motor - 3W (A832)	1
9	A682 2996	Positioning Guide	3
10	A832 5310	Main Harness (A832)	1
10	A833 5310	Main Harness (A833)	1
11	A833 5330	Interface Harness	1
12	A832 5110	Interface Board (A832)	1
12	A833 5110	Interface Board (A833)	1
13	A833 1090	Rear Stay	1
14	A833 2605	Left Supporter	1
15	AA14 9342	Stud	1
16	5215 2621	Snap Ring - M6	1
17	5206 2686	Snap Ring	1
18	A833 2573	Right Supporter	1
19	AA14 9325	Front Lock Stud	1
20	AA14 9344	Guide Plate Stud	1
21	A833 5360	Paper Volume Sensor Harness	1
22	A833 2585	Rear Side Plate Bracket	1

Index No.	Part No.	Description	Q'ty Per Assembly
101	0451 3006B	Tapping Screw - M3x6	
102	0451 3008B	Tapping Screw - M3x8	
103	1105 0328	Harness Clamp - ES-0505	
104	1105 0283	Clamp	
105	1105 0230	Clamp	
106	1105 0291	Harness Clamp - LWS-3S	
107	1105 0367	Spacer	
108	1105 0192	Locking Support	
109	0720 0060E	Retaining Ring - M6	
110	0805 3480	Bushing - 6mm	
111	1204 2466	Microswitch - V-16506-1C25	
112	1107 0392	Fuse - 6.3A 125V	

## 6.INTERFACE BOARD (A832)

### CAPACITOR

SYMBOL NO.	INDEX NO.
C101	132
C102	136
C103	131
C104	136
C105	135
C106	135
C107	133
---	---
C109	133
C110	135

SYMBOL NO.	INDEX NO.
C111	135
C112	135
C113	135
C114	135
C115	135
C116	135
C117	135
C118	135
C119	135
C120	135

SYMBOL NO.	INDEX NO.
C121	135
C122	135
C123	135
C124	135
C125	135
C126	134
C127	135
C128	135
C129	135
C130	135

SYMBOL NO.	INDEX NO.
C131	135
C132	136
C133	136
C134	135
C135	135
C136	136
C137	136
C138	136
C139	136
C140	---

SYMBOL NO.	INDEX NO.
---	---
---	---
---	---
C144	135
C145	135
C146	135
C147	135
C148	135
C149	135
C150	135

### CONNECTOR

SYMBOL NO.	INDEX NO.
CN100	106
CN101	107
CN102	105
CN103	104
CN104	103
CN105	102

### DIPSW

SYMBOL NO.	INDEX NO.
DPS101	112

### FUSE

SYMBOL NO.	INDEX NO.
FU101	110
(clip)	108

### IC

SYMBOL NO.	INDEX NO.
IC101	115
IC102	114
IC103	118
IC104	117
IC105	1
(Socket)	109
IC106	116

### OSC

SYMBOL NO.	INDEX NO.
OSC101	119

### PC

SYMBOL NO.	INDEX NO.
PC101	113

### RESISTOR

SYMBOL NO.	INDEX NO.
---	---
---	---
R103	127
R104	127
R105	127
R106	127
R107	122
R108	122
R109	127
R110	122

SYMBOL NO.	INDEX NO.
R111	122
R112	122
R113	120
R114	124
R115	122
R116	122
R117	122
R118	122
---	---
R120	122

SYMBOL NO.	INDEX NO.
---	---
R122	122
---	---
R124	125
R125	127
---	---
R127	125
R128	127
R129	122
R130	125

SYMBOL NO.	INDEX NO.
R131	127
R132	122
R133	127
R134	125
R135	125
R136	127
R137	122
R138	127
R139	125
R140	125

## 6.INTERFACE BOARD (A832)

### RESISTOR

SYMBOL NO.	INDEX NO.
R141	127
R142	122
R143	127
R144	125
R145	125
R146	127
R147	127
R148	125
R149	125
R150	127

SYMBOL NO.	INDEX NO.
R151	125
R152	127
R153	127
R154	125
R155	125
R156	127
R157	127
R158	125
R159	128
R160	127

SYMBOL NO.	INDEX NO.
R161	126
R162	123
R163	121
R164	122
R165	122
R166	122
R167	122
R168	127
R169	127
R170	125

SYMBOL NO.	INDEX NO.
R171	122
R172	122
R173	130
R174	129
R175	125
R176	125
R177	125
R178	127
R179	127
R180	127

### SWITCH

SYMBOL NO.	INDEX NO.
SW101	111
SW102	111

### TEST POINT

SYMBOL NO.	INDEX NO.
TP101	101
TP102	101
TP103	101
TP104	101
TP105	101
TP106	101

## 6.INTERFACE BOARD (A832)

Index No.	Part No.	Description	Q'ty Per Assembly
*	A832 5110	Interface Board (A832)	1
1	A833 5150	IC - HD6433522P10	1
101	1101 0328	Connector Pin Contact	

Index No.	Part No.	Description	Q'ty Per Assembly
102	1102 0903	Connector - 4P	
103	1102 6303	Connector - 10P	
104	1102 6308	Connector - 15P	
105	1102 6396	Connector - 1P	
106	1102 6397	Box Header	
107	1102 6398	Connector - 2P	
108	1104 0351	Fuse Holder	
109	1104 0769	IC Socket	
110	1107 0392	Fuse - 6.3A 125V	
111	1204 1385	Push Switch	
112	1204 2486	Dip Switch - DSS704	
113	1403 0520	Photocoupler - TLP521-1	
114	1407 1596	TTLIC - SN74LS14NS	
115	1407 2187	TTLIC - SN74LS07NS	
116	1407 2231	IC - TD62308AF	
117	1408 0611	IC - 3771	
118	1408 0770	IC - L293D	
119	1503 0261	Oscillator - 9.8304MHZ	
120	1611 9222	Resistor - 2.2K $\Omega$ $\pm$ 5% 1/2W	
121	1630 3100	Resistor - 10 $\Omega$ $\pm$ 5% 1/10W	
122	1630 3103	Resistor - 10K $\Omega$ 1/10W $\pm$ 5%	
123	1630 3161	Resistor - 160 $\Omega$ 1/10w $\pm$ 5%	
124	1630 3201	Resistor - 200 $\Omega$ 1/10W $\pm$ 5%	
125	1630 3203	Resistor - 20 $\Omega$ $\pm$ 5% 1/10W	
126	1630 3222	Resistor - 2.2K $\Omega$ 1/10W $\pm$ 5%	
127	1630 3472	Resistor - 4.7K $\Omega$ 1/10W $\pm$ 5%	
128	1630 3562	Resistor - 5.6K $\Omega$ +5% 1/10W	
129	1633 1002	Resistor - 10K $\Omega$ $\pm$ 1% 1/10W	
130	1633 3901	Resistor - 3.9 $\Omega$ $\pm$ 1% 1/10W	
131	1640 2101	Capacitor - 100 $\mu$ F $\pm$ 20% 25V	
132	1640 5101	Capacitor - 100 $\mu$ F $\pm$ 20% 50V	
133	1660 2220	Capacitor - 22pF $\pm$ 20% 35V	
134	1660 2471	Capacitor - 470pF - $\pm$ 5% - 50V	
135	1660 5103	Capacitor - 10000pF $\pm$ 10% 50V	
136	1660 7104	Capacitor - 100000pF 50V	

## 7.INTERFACE BOARD (A833)

### CAPACITOR

SYMBOL NO.	INDEX NO.
C101	135
C102	139
C103	134
C104	139
C105	138
C106	138
C107	136
---	---
C109	136
C110	138

SYMBOL NO.	INDEX NO.
C111	138
C112	138
C113	138
C114	138
C115	138
C116	138
C117	138
C118	138
C119	138
C120	138

SYMBOL NO.	INDEX NO.
C121	138
C122	138
C123	138
C124	138
C125	138
C126	137
C127	138
C128	138
C129	138
C130	138

SYMBOL NO.	INDEX NO.
C131	138
C132	139
C133	139
C134	138
C135	138
C136	139
C137	139
C138	139
C139	139
---	---

SYMBOL NO.	INDEX NO.
---	---
---	---
---	---
C144	138
C145	138
C146	138
C147	138
C148	138
C149	138
C150	138

SYMBOL NO.	INDEX NO.
C151	138
C152	139

### CONNECTOR

SYMBOL NO.	INDEX NO.
CN100	109
CN101	110
CN102	108
CN103	107
CN104	106
CN105	102
CN106	105
CN107	104
CN108	103
---	---

### DIPSW

SYMBOL NO.	INDEX NO.
DPS101	115

### FUSE

SYMBOL NO.	INDEX NO.
FU101	113
(clip)	111

### IC

SYMBOL NO.	INDEX NO.
IC101	118
IC102	117
IC103	121
IC104	120
IC105	1
(Socket)	112
IC106	119
IC107	121

### OSC

SYMBOL NO.	INDEX NO.
OSC101	122

### PC

SYMBOL NO.	INDEX NO.
PC101	116

### RESISTOR

SYMBOL NO.	INDEX NO.
---	---
---	---
R103	130
R104	130
R105	130
R106	130
R107	125
R108	125
R109	130
R110	125

SYMBOL NO.	INDEX NO.
R111	125
R112	125
R113	123
R114	127
R115	125
R116	125
R117	125
R118	125
---	---
R120	125

SYMBOL NO.	INDEX NO.
---	---
R122	125
---	---
R124	128
R125	130
---	---
R127	128
---	---
R129	125
R130	128

SYMBOL NO.	INDEX NO.
R131	130
R132	125
R133	130
R134	128
R135	128
R136	130
R137	125
R138	130
R139	128
R140	128



## 7.INTERFACE BOARD (A833)

### RESISTOR

SYMBOL NO.	INDEX NO.
R141	130
R142	125
R143	130
R144	128
R145	128
R146	130
R147	130
R148	128
R149	128
R150	130

SYMBOL NO.	INDEX NO.
R151	128
R152	130
R153	130
R154	128
R155	128
R156	130
R157	130
R158	128
R159	131
R160	130

SYMBOL NO.	INDEX NO.
R161	129
R162	126
R163	124
R164	125
R165	125
R166	125
R167	125
R168	130
R169	130
R170	128

SYMBOL NO.	INDEX NO.
R171	125
R172	125
R173	133
R174	132
R175	128
R176	128
R177	128
R178	130
R179	130
R180	130

SYMBOL NO.	INDEX NO.
R181	130

### SWITCH

SYMBOL NO.	INDEX NO.
SW101	114
SW102	114

### TEST POINT

SYMBOL NO.	INDEX NO.
TP101	101
TP102	101
TP103	101
TP104	101
TP105	101
TP106	101

## 7.INTERFACE BOARD (A833)

Index No.	Part No.	Description	Q'ty Per Assembly
*	A833 5110	Interface Board (A833)	1
1	A833 5150	IC - HD6433522P10	1
101	1101 0328	Connector Pin Contact	
102	1102 0903	Connector - 4P	
103	1102 6297	Connector - 4P	
104	1102 6301	Connector - 8P	

Index No.	Part No.	Description	Q'ty Per Assembly
105	1102 6302	Connector - 9P	
106	1102 6303	Connector - 10P	
107	1102 6308	Connector - 15P	
108	1102 6396	Connector - 1P	
109	1102 6397	Box Header	
110	1102 6398	Connector - 2P	
111	1104 0351	Fuse Holder	
112	1104 0769	IC Socket	
113	1107 0392	Fuse - 6.3A 125V	
114	1204 1385	Push Switch	
115	1204 2486	Dip Switch - DSS704	
116	1403 0520	Photocoupler - Tlp521-1	
117	1407 1596	TTLIC - SN74LS14NS	
118	1407 2187	TTLIC - SN74LS07NS	
119	1407 2231	IC - TD62308AF	
120	1408 0611	IC - 3771	
121	1408 0770	IC - L293D	
122	1503 0261	Oscillator - 9.8304MHZ	
123	1611 9222	Resistor - 2.2K $\Omega$ $\pm$ 5% 1/2W	
124	1630 3100	Resistor - 10 $\Omega$ $\pm$ 5% 1/10W	
125	1630 3103	Resistor - 10K $\Omega$ 1/10W $\pm$ 5%	
126	1630 3161	Resistor - 160 $\Omega$ 1/10w $\pm$ 5%	
127	1630 3201	Resistor - 200 $\Omega$ 1/10W $\pm$ 5%	
128	1630 3203	Resistor - 20 $\Omega$ $\pm$ 5% 1/10W	
129	1630 3222	Resistor - 2.2K $\Omega$ 1/10W $\pm$ 5%	
130	1630 3472	Resistor - 4.7K $\Omega$ 1/10W $\pm$ 5%	
131	1630 3562	Resistor - 5.6K $\Omega$ +5% 1/10W	
132	1633 1002	Resistor - 10K $\Omega$ $\pm$ 1% 1/10W	
133	1633 3901	Resistor - 3.9 $\Omega$ $\pm$ 1% 1/10W	
134	1640 2101	Capacitor - 100 $\mu$ F $\pm$ 20% 25V	
135	1640 5101	Capacitor - 100 $\mu$ F $\pm$ 20% 50V	
136	1660 2220	Capacitor - 22pF $\pm$ 20% 35V	
137	1660 2471	Capacitor - 470pF - $\pm$ 5% - 50V	
138	1660 5103	Capacitor - 10000pF $\pm$ 10% 50V	
139	1660 7104	Capacitor - 100000pF 50V	

# Parts Index

## PM Parts Index

Section Name	Part No.	Description in Service Manual	Description in Parts Catalog	Q'ty Per Assembly	Page and Index No.
PAPER REGISTRATION (A832/A833)	AF03 0035	Pick-up Roller	Pick-up Roller	1	5- 1
PAPER REGISTRATION (A832/A833)	AF03 1035	Feed Roller	Feed Roller	1	5- 6
PAPER REGISTRATION (A832/A833)	AF03 2035	Separation Roller	Separation Roller	1	5- 24

## Parts Index

Part No.	Description	Page and Index No.
A832 1311	Lower Front Cover (A832)	3- 35
A832 1312	Bracket - Right Lower Cover (A832)	3- 37
A832 1313	Bracket - Left Lower Cover (A832)	3- 36
A832 1321	Lower Inner Cover (A832)	3- 34
A832 2605	Idler Stud (A832)	9- 25
A832 5110	Interface Board (A832)	11- 12
A832 5110	Interface Board (A832)	13- *
A832 5310	Main Harness (A832)	11- 10
A832 5360	Paper Volume Sensor Harness (A832)	9- 24

Part No.	Description	Page and Index No.
AA00 3002	Decal - Add Paper	7- 7
AA04 3905	Timing Belt - S3M 666	9- 1
AA04 3906	Timing Belt - S3M 501	9- 10
AA06 0591	Tension Spring	9- 11
AA06 0691	Tension Spring	5- 4
AA06 0692	Tension Spring	5- 23
AA06 0693	Tension Spring	5- 25
AA06 3271	Spring	3- 24
AA06 9260	Lock Spring	3- 28
AA08 0173	Bushing - 6mm	3- 23
AA08 2070	Bushing - 8x16x7	5- 8
AA08 2072	Bushing - M6	5- 26
AA08 3014	One-way Clutch	5- 29
AA14 0655	Shaft - Paper Feed	5- 28
AA14 0656	Shaft - Gear	5- 20
AA14 3487	Cover Fix Screw	3- 2
AA14 3762	Tapping Screw - M3x10	7- 19
AA14 5260	Gear Shaft	9- 18
AA14 9325	Front Lock Stud	11- 19
AA14 9326	Rear Lock Stud	9- 21
AA14 9342	Stud	11- 15
AA14 9344	Guide Plate Stud	11- 20
AB01 0106	Gear - 24Z	5- 19
AB01 0107	Gear - 23Z	5- 17
AB01 1188	Gear - 21Z	5- 3
AB01 1189	Gear - 18Z	5- 7
AB01 4037	Gear - 24Z	9- 4
AB01 4038	Gear - 22Z	9- 3
AB01 4039	Gear - 31Z	9- 5
AB01 7476	Motor Drive Gear	9- 15
AB01 9476	Motor Idler Gear	11- 5
AB03 0455	Tightener Pulley - 8x20x13	9- 13
AB03 0557	Pulley - 20Z	9- 7
AB03 0561	Timing Pulley - 31Z/20T	9- 9
AB03 0566	Timing Pulley - 20T	9- 19

Part No.	Description	Page and Index No.
AB03 0625	Timing Pulley - 20Z	9- 2
AB03 3089	Idler Pulley	9- 8
AF01 1153	Tray Bottom Plate	7- 4
AF01 3014	Bottom Plate Pad	7- 5
AF01 7020	End Fence	7- 6
AF02 0404	Transport Roller	5- 32
AF02 5038	Driven Transport Roller	3- 22
AF03 0035	Pick-up Roller	5- 1
AF03 1035	Feed Roller	5- 6
AF03 2035	Separation Roller	5- 24
AH01 3009	Caster - 100Kgf Stopper	3- 5
AH01 3010	Caster - 100Kgf	3- 12
AW02 0056	Photointerruptor - EE-SX4235A-P1	5- 31
AW02 0056	Photointerruptor - EE-SX4235A-P1	9- 23
AW02 0096	Photointerruptor	5- 35
AW50 0022	Push Switch	9- 22
AX04 0077	DC Motor - 3W	11- 7
AX04 0113	DC Motor - 3W (A832)	11- 8
AX06 0139	Brushless Motor - DC24V 12.3W	11- 3
AX20 0153	Electrical Clutch	11- 6
AX20 0158	Magnetic Clutch - 0.8N 28Z	9- 17
AX40 0065	Anti-Condensation Heater - 100	3- 32

Part No.	Description	Page and Index No.
A232 2702	Pulley Bracket	9- 20
A232 2750	Paper Feed Unit Ass'y	5- 36
A232 2760	Housing - Paper Feed Unit	5- 9
A232 2762	Paper End Feeler	5- 13
A232 2763	Pick-up Arm	5- 2
A232 2764	Rear Grounding Plate	5- 27
A232 2765	Front Grounding Plate	5- 10
A232 2766	Feed Mylar	5- 38
A232 2770	Stay - Paper Separation	5- 18
A232 2774	Pressure Lever	5- 21
A232 2775	Link Lever	5- 22
A232 2776	Release Lever	5- 15
A232 2777	Shaft - Paper Separation	5- 12
A232 2780	Stay - Paper Feed	5- 33
A232 2781	Sensor Bracket	5- 34
A232 2782	Rear Feed Mylar	5- 14
A232 2783	Torque Limitter	5- 11
A232 2785	Vertical Guide	5- 37
A232 2972	Bottom Lift Shaft	7- 12
A232 2975	Bottom Lift Plate	7- 10
A232 2976	Grounding Plate - Paper Tray	7- 13
A232 2977	Bottom Plate	7- 9
A232 2979	Front Side Fence	7- 3
A232 2983	Rear Side Fence	7- 14
A232 2986	Screw - M4X8	7- 2
A232 2987	Roller - Paper Tray	7- 11
A232 2988	Handle - Paper Tray	7- 8
A232 2989	X/O MB1	7- 18
A232 2995	Front Positioning Guide	3- 10
A232 2997	Right Stopper - Paper Tray	7- 17
A232 2999	Right Spacer	7- 16
A232 3552	Ball Bearing - 8x22x7	9- 16
A232 5428	Harness - Paper Feed Unit	5- 30
A235 2979	Feeler - Paper Height Sensor	7- 15
A259 2520	Paper Tray Ass'y	7- 1

Part No.	Description	Page and Index No.
A259 3314	Screw Holder	7- 18
A507 1096	Philips Screw - M5x6	3- 6
A549 1093	Spring Plate	3- 4
A549 6120	Left Support Bracket	3- 9
A549 6121	Right Support Bracket	3- 11
A682 2996	Positioning Guide	11- 9
A833 1090	Rear Stay	11- 13
A833 1094	Right Stay	3- 31
A833 1095	Left Stay	3- 3
A833 1099	Knob Screw	3- 33
A833 1127	Belt Tension Bracket	9- 12
A833 1136	Guide Plate	11- 1
A833 1138	Drive Cover	9- 14
A833 1142	Middle Bracket	11- 2
A833 1162	Motor Bracket	11- 4
A833 1182	Radiator Plate	3- 38
A833 1251	Front Upper Cover	3- 8
A833 1252	Front Upper Cover Bracket	3- 7
A833 1261	Left Cover	3- 1
A833 1271	Front Right Cover	3- 13
A833 1281	Lower Vertical Cover	3- 14
A833 1291	Rear Right Cover	3- 15
A833 1301	Rear Cover	3- 16
A833 2573	Right Supporter	11- 18
A833 2585	Rear Side Plate Bracket	11- 22
A833 2605	Left Supporter	11- 14
A833 2615	Vertical Guide Plate	3- 21
A833 2632	Vertical Un Lock Grip	3- 25
A833 2635	Front Lock Pawl	3- 27
A833 2636	Rear Lock Pawl	3- 29
A833 2638	Un Lock Shaft	3- 26
A833 2660	Vertical Transport Cover	3- 17
A833 2665	Guide Plate Link	3- 19
A833 2672	Spring Plate	9- 6
A833 2680	Stud	3- 18

Part No.	Description	Page and Index No.
A833 5110	Interface Board (A833)	15- *
A833 5110	Interface Board (A833)	11- 12
A833 5150	IC - HD6433522P10	13- 1
A833 5150	IC - HD6433522P10	15- 1
A833 5310	Main Harness (A833)	11- 10
A833 5321	Heater Harness	3- 30
A833 5330	Interface Harness	11- 11
A833 5360	Paper Volume Sensor Harness	11- 21

Part No.	Description	Page and Index No.
5206 2686	Snap Ring	5- 16
5206 2686	Snap Ring	11- 17
5215 2621	Snap Ring - M6	3- 20
5215 2621	Snap Ring - M6	11- 16
5447 2681	Snap Ring	5- 5

Part No.	Description	Page and Index No.
0353 0060B	Philips Pan Head Screw - M3x6	7-102
0353 0080B	Screw - M3X8	3-106
0434 0080B	Pan Head Self-tapping Screw - M4x8	3-105
0450 4010B	Tapping Screw - 4x10	3-104
0451 3006B	Tapping Screw - M3x6	3-102
0451 3006B	Tapping Screw - M3x6	9-101
0451 3006B	Tapping Screw - M3x6	11-101
0451 3008B	Tapping Screw - M3x8	5-101
0451 3008B	Tapping Screw - M3x8	11-102
0451 3008H	Tapping Screw - 3x8	3-101
0720 0030E	Retaining Ring - M3	9-102
0720 0040E	Retaining Ring - M4	5-102
0720 0040E	Retaining Ring - M4	3-103
0720 0060E	Retaining Ring - M6	11-109
0720 0060E	Retaining Ring - M6	7-101
0720 0060E	Retaining Ring - M6	9-103
0720 0060E	Retaining Ring - M6	5-103
0801 0150	Philips Screw - M4x8	3-107
0805 0089	Retaining Ring - M4	5-105
0805 3480	Bushing - 6mm	11-110
0805 3480	Bushing - 6mm	5-104
1101 0328	Connector Pin Contact	15-101
1101 0328	Connector Pin Contact	13-101
1102 0903	Connector - 4P	15-102
1102 0903	Connector - 4P	13-102
1102 6297	Connector - 4P	15-103
1102 6301	Connector - 8P	15-104
1102 6302	Connector - 9P	15-105
1102 6303	Connector - 10P	13-103
1102 6303	Connector - 10P	15-106
1102 6308	Connector - 15P	13-104
1102 6308	Connector - 15P	15-107
1102 6396	Connector - 1P	13-105
1102 6396	Connector - 1P	15-108
1102 6397	Box Header	13-106



Part No.	Description	Page and Index No.
1102 6397	Box Header	15-109
1102 6398	Connector - 2P	15-110
1102 6398	Connector - 2P	13-107
1104 0351	Fuse Holder	15-111
1104 0351	Fuse Holder	13-108
1104 0769	IC Socket	15-112
1104 0769	IC Socket	13-109
1105 0192	Locking Support	11-108
1105 0230	Clamp	9-106
1105 0230	Clamp	11-105
1105 0283	Clamp	9-105
1105 0283	Clamp	11-104
1105 0283	Clamp	5-106
1105 0290	Harness Clamp - Horizontal	3-108
1105 0291	Harness Clamp - LWS-3S	9-104
1105 0291	Harness Clamp - LWS-3S	11-106
1105 0328	Harness Clamp - ES-0505	11-103
1105 0367	Spacer	11-107
1107 0392	Fuse - 6.3A 125V	15-113
1107 0392	Fuse - 6.3A 125V	11-112
1107 0392	Fuse - 6.3A 125V	13-110
1204 1385	Push Switch	15-114
1204 1385	Push Switch	13-111
1204 2466	Microswitch - V-16506-1C25	11-111
1204 2486	Dip Switch - DSS704	13-112
1204 2486	Dip Switch - DSS704	15-115
1403 0520	Photocoupler - Tlp521-1	15-116
1403 0520	Photocoupler - TLP521-1	13-113
1407 1596	TTLIC - SN74LS14NS	13-114
1407 1596	TTLIC - SN74LS14NS	15-117
1407 2187	TTLIC - SN74LS07NS	15-118
1407 2187	TTLIC - SN74LS07NS	13-115
1407 2231	IC - TD62308AF	15-119
1407 2231	IC - TD62308AF	13-116
1408 0611	IC - 3771	15-120

Part No.	Description	Page and Index No.
1408 0611	IC - 3771	13-117
1408 0770	IC - L293D	15-121
1408 0770	IC - L293D	13-118
1503 0261	Oscillator - 9.8304MHZ	15-122
1503 0261	Oscillator - 9.8304MHZ	13-119
1611 9222	Resistor - 2.2K $\Omega$ $\pm$ 5% 1/2W	13-120
1611 9222	Resistor - 2.2K $\Omega$ $\pm$ 5% 1/2W	15-123
1630 3100	Resistor - 10 $\Omega$ $\pm$ 5% 1/10W	15-124
1630 3100	Resistor - 10 $\Omega$ $\pm$ 5% 1/10W	13-121
1630 3103	Resistor - 10K $\Omega$ 1/10W $\pm$ 5%	15-125
1630 3103	Resistor - 10K $\Omega$ 1/10W $\pm$ 5%	13-122
1630 3161	Resistor - 160 $\Omega$ 1/10w $\pm$ 5%	15-126
1630 3161	Resistor - 160 $\Omega$ 1/10w $\pm$ 5%	13-123
1630 3201	Resistor - 200 $\Omega$ 1/10W $\pm$ 5%	15-127
1630 3201	Resistor - 200 $\Omega$ 1/10W $\pm$ 5%	13-124
1630 3203	Resistor - 20 $\Omega$ $\pm$ 5% 1/10W	13-125
1630 3203	Resistor - 20 $\Omega$ $\pm$ 5% 1/10W	15-128
1630 3222	Resistor - 2.2K $\Omega$ 1/10W $\pm$ 5%	15-129
1630 3222	Resistor - 2.2K $\Omega$ 1/10W $\pm$ 5%	13-126
1630 3472	Resistor - 4.7K $\Omega$ 1/10W $\pm$ 5%	15-130
1630 3472	Resistor - 4.7K $\Omega$ 1/10W $\pm$ 5%	13-127
1630 3562	Resistor - 5.6K $\Omega$ +5% 1/10W	13-128
1630 3562	Resistor - 5.6K $\Omega$ +5% 1/10W	15-131
1633 1002	Resistor - 10K $\Omega$ $\pm$ 1% 1/10W	13-129
1633 1002	Resistor - 10K $\Omega$ $\pm$ 1% 1/10W	15-132
1633 3901	Resistor - 3.9 $\Omega$ $\pm$ 1% 1/10W	13-130
1633 3901	Resistor - 3.9 $\Omega$ $\pm$ 1% 1/10W	15-133
1640 2101	Capacitor - 100 $\mu$ F $\pm$ 20% 25V	13-131
1640 2101	Capacitor - 100 $\mu$ F $\pm$ 20% 25V	15-134
1640 5101	Capacitor - 100 $\mu$ F $\pm$ 20% 50V	15-135
1640 5101	Capacitor - 100 $\mu$ F $\pm$ 20% 50V	13-132
1660 2220	Capacitor - 22pF $\pm$ 20% 35V	13-133
1660 2220	Capacitor - 22pF $\pm$ 20% 35V	15-136
1660 2471	Capacitor - 470pF - $\pm$ 5% - 50V	13-134
1660 2471	Capacitor - 470pF - $\pm$ 5% - 50V	15-137

Part No.	Description	Page and Index No.
1660 5103	Capacitor - 10000pF $\pm$ 10% 50V	15-138
1660 5103	Capacitor - 10000pF $\pm$ 10% 50V	13-135
1660 7104	Capacitor - 100000pF 50V	15-139
1660 7104	Capacitor - 100000pF 50V	13-136

Part No.	Description	Page and Index No.
----------	-------------	--------------------